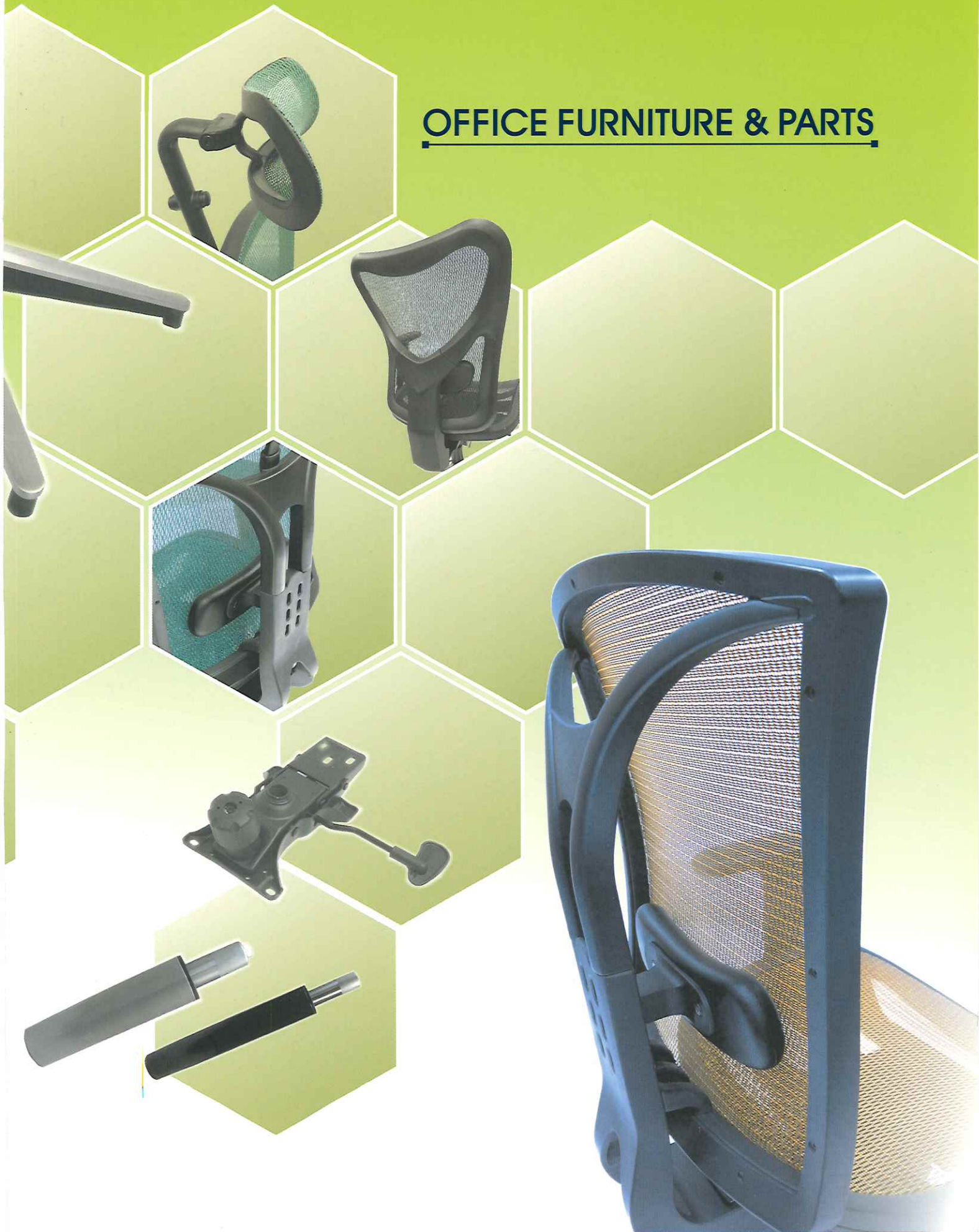


# OFFICE FURNITURE & PARTS





## INDEX

■ About Us	会社案内	02
■ Office Chair	オフィスチェア	05
■ Caster	キャスター	20
■ Armrest	アームレスト	33
■ Mechanism	座受け	42
■ Base / Foot Ring	ベース / 足掛けリング	44
■ Gas Lift / Gas Spring	ガスリフト / ガススプリング	47
■ Hinge	ヒンジ	52
■ Slide Rail	スライドレール	53
■ Elevating Desk	昇降テーブル	54
■ LCD Stand	大型LCDスタンド	56



# ▶ About Fullness Corporation

## ABOUT US

### 会社案内

[www.fullnesscorp.com](http://www.fullnesscorp.com)

フルネス社は1971年に設立、台湾の台北に本社を置き、北米、ヨーロッパ、日本、中国に幅広いビジネス活動をダイナミックに展開している国際貿易商社です。



1980年代にスタートした自転車関連業務は、当時のパーツの供給から現在ではシャフト・ドライブ自転車、電動自転車の大量輸出までに発展し、更に事業領域を拡大、アメリカのFDAとEUで認証された、600cc以上のオートバイ各種パーツの開発まで手掛けております。

また、1990年代にはじめたオフィス家具部門は、当初のキャスター、ガスバネなどのパーツ輸出が椅子、パソコンデスク等の完成品輸出に発展、台湾のIC産業の発展に伴って現在は、IC内蔵のコンピューターテーブル・エレベーションデスク・LCDモニターの輸出、そして大型LCDスタンドの開発輸出をし、更に高等化するニーズに応じて、今日のDigital Signageまで発展してきました。

当社は製品のカテゴリーにより、それぞれ自主的な経営を営むディビジョン・カンパニー制を導入し、お客様第一主義のもと、お客様のニーズに合った高品質で付加価値の高い製品、サービスを迅速、的確にお届けする事を日々目指しています。

企業の信用を第一とし、ベストのサービスを追求し、グローバルのお客様に「製品管理とネットワーク強化によるサービスの向上」を図る為、台湾の中南部、中国広州に技術者を駐在させ、生産工場での品質、納期を管理して出荷しております。

2001年4月には、FULLNESS JAPAN CORPORATION(略称FJC)を設立しました。正しいビジネスパートナーを選ぶことが、グローバルな世界の市場で成功の鍵を握ると言えるでしょう。

ハイレベルの管理の元で信頼性を築き上げたフルネス社は、御社の選択の標的ではないかと思えます。今後ともご愛顧の程よろしくお願い申し上げます。

# ► OFFICE CHAIR ► Leather Chair



## OFFICE CHAIR



### ITEM ES0807-06

- Overall Size : 667(W)\*743(D)\*1149~1200(H)mm
- Back : Leather+PVC/552(W)\*826(H)\*114(T)mm
- Seat : Leather+PVC/546(W)\*540(D)\*121(T)mm
- Armrest : Aluminum+Leather (Fixed)
- Mechanism : Knee Tilt
- Caster :  $\phi$ 50mm , PA
- Base : 350mm , Aluminum
- Color : Black
- Other colors available.



### ITEM ES0807-12

- Overall Size : 673(W)\*667(D)\*1016~1105(H)mm
- Back : Leather+PVC/559(W)\*648(H)\*102(T)mm
- Seat : Leather+PVC/514(W)\*508(D)\*89(T)mm
- Armrest : PU (Height adjustable 80mm)
- Mechanism : Butterfly Plate
- Caster :  $\phi$ 55mm , PA
- Base : 350mm , Nylon
- Color : Black
- Other colors available.



### ITEM EA679KTG

- Overall Size : 680(W)\*655(D)\*1165~1235(H)mm
- Back : Leather+PVC/505(W)\*810(H)\*75(T)mm
- Seat : Leather+PVC/520(W)\*455(D)\*105(T)mm
- Armrest : Aluminum
- Mechanism : Knee Tilt
- Caster :  $\phi$ 60mm , Nylon
- Base : 350 mm , Nylon + ABS Plating
- Color of leather : Other colors available



# ► OFFICE CHAIR ► Leather Chair

## OFFICE CHAIR



### ITEM EA459KTG

- Overall Size :  
630(W)\*725(D)\*1185~1255(H)mm
- Back : Leather+PVC/520(W)\*840(H)\*127(T)mm
- Seat : Leather+PVC/540(W)\*465(D)\*127(T)mm
- Armrest : Iron + leather
- Mechanism : Knee Tilt
- Caster :  $\phi$ 50mm , Nylon
- Base : 350 mm , aluminum
- Color of leather : Other colors available



### ITEM EKCA-D500STG

- Overall Size :  
675(W)\*605(D)\*1220~1290(H)mm
- Back : Leather+PVC/480(W)\*900(H)\*76(T)mm
- Seat : Leather+PVC/520(W)\*510(D)\*63(T)mm
- Armrest : PU (80mm height adjustable)
- Mechanism : Synchronous type
- Caster :  $\phi$ 50mm , Nylon
- Base : 350 mm , aluminum
- Color of leather : Other colors available



### ITEM EKCE-F200KTG

- Overall Size :  
650(W)\*760(D)\*1170~1240(H)mm
- Back : Leather+PVC/515(W)\*825(H)\*120(T)mm
- Seat : Leather+PVC/540(W)\*510(D)\*130(T)mm
- Armrest : Aluminum covered with leather + PVC
- Mechanism : Knee Tilt
- Caster :  $\phi$ 50mm , Nylon
- Base : 350 mm , Aluminum
- Color of leather : Other colors available



### ITEM EKCE-A700A2KTG

- Overall Size :  
700(W)\*730(D)\*1225~1295(H)mm
- Back : Leather+PVC/585(W)\*880(H)\*115(T)mm
- Seat : Leather+PVC/600(W)\*540(D)\*130(T)mm
- Armrest : Aluminum covered with leather
- Mechanism : Knee Tilt
- Caster :  $\phi$ 50mm , Nylon
- Base : 350 mm , Aluminum
- Color of leather : Other colors available

# ► OFFICE CHAIR ► Leather Chair



## OFFICE CHAIR



### ITEM EA022-11STG

- ▶ Overall Size : 665(W)\*660(D)\*1085~1155(H)mm
- ▶ Back : Leather+PVC/515(W)\*730(H)\*100(T)mm
- ▶ Seat : Leather+PVC/560(W)\*550(D)\*100(T)mm
- ▶ Armrest : PU (80mm height adjustable)
- ▶ Mechanism : Synchronous type
- ▶ Caster :  $\phi$ 50mm , Nylon
- ▶ Base : 350 mm , Nylon
- ▶ Color of leather : Other colors available



### ITEM EA275M1STG

- ▶ Overall Size : 660(W)\*685(D)\*780~850(H)mm
- ▶ Back : Leather+PVC/520(W)\*935(H)\*64(T)mm
- ▶ Seat : Leather+PVC/525(W)\*535(D)\*100(T)mm
- ▶ Armrest : PU (100mm height adjustable)
- ▶ Mechanism : Synchronous type
- ▶ Caster :  $\phi$ 50mm , Nylon
- ▶ Base : 350 mm , Iron
- ▶ Color of leather : Other colors available



### ITEM EA362-3B3ATG

- ▶ Overall Size : 595(W)\*610(D)\*1040~1110(H)mm
- ▶ Back : Leather+PVC/470(W)\*645(H)\*89(T)mm
- ▶ Seat : Leather+PVC/495(W)\*515(D)\*83(T)mm
- ▶ Armrest : Iron + Leather
- ▶ Mechanism : Knee Tilt
- ▶ Armrest : Iron + Leather
- ▶ Caster :  $\phi$ 50mm , Nylon
- ▶ Base : 350 mm , Iron
- ▶ Color of leather : Other colors available



### ITEM EA362B3ATG

- ▶ Overall Size : 595(W)\*655(D)\*1180~1250(H)mm
- ▶ Back : Leather+PVC/470(W)\*825(H)\*89(T)mm
- ▶ Seat : Leather+PVC/495(W)\*515(D)\*83(T)mm
- ▶ Armrest : Iron + Leather
- ▶ Mechanism : Knee Tilt
- ▶ Caster :  $\phi$ 50mm , Nylon
- ▶ Base : 350 mm , Iron
- ▶ Color of leather : Other colors available



# ► OFFICE CHAIR ► Leather Chair

## OFFICE CHAIR



### ITEM ECM10009E

- Overall Size : 667(W)\*699(D)\*1118~1207(H)mm
- Back : Leather+PVC/533(W)\*787(H)\*159(T)mm
- Seat : Leather+PVC/533(W)\*546(D)\*108(T)mm
- Armrest : Wooden arm w/leather padded
- Mechanism : Butterfly Plate (W/Tilt)
- Caster :  $\phi$ 55mm , PA
- Base : 350mm , Wood
- Color : Black/ Wood: Dark red
- Other colors available.



### ITEM ECM10036

- Overall Size : 673(W)\*724(D)\*1238~1327(H)mm
- Back : Leather+PVC/546(W)\*610(H)\*89(T)mm
- Seat : Leather+PVC/552(W)\*527(D)\*108(T)mm
- Armrest : PU padded (adjustable)
- Mechanism : Synchro
- Caster : Nylon
- Base : 350mm , Aluminum
- Color : Red wine
- Other colors available.



### ITEM EC958-11A1KTG

- Overall Size : 680(W)\*765(D)\*1185~1255(H)mm
- Back : Leather+PVC/545(W)\*870(H)\*140(T)mm
- Seat : Leather+PVC/545(W)\*550(D)\*125(T)mm
- Armrest : Iron+Leather
- Mechanism : Knee Tilt
- Caster :  $\phi$ 50mm , Nylon
- Base : 350 mm , Nylon + ABS Plating
- Color of leather : Other colors available

# ► OFFICE CHAIR ► PVC Chair



## OFFICE CHAIR



### ITEM EJG606138GEPS

- ▶ Overall Size : 680(W)\*790(D)\*1070~1160(H)mm
- ▶ Headrest : Cushion with PVC, height & angle adjustable
- ▶ back : PVC leather, W/ lumbar-support
- ▶ Mechanism : Synchronized tilt with 4 position lock
- ▶ Seat : PVC leather
- ▶ Armrest : PU, Height adjustable and 90° backward swivelable
- ▶ Caster : Nylon
- ▶ Base : 350 mm , Nylon
- ▶ Gas spring : Stroke-100mm
- ▶ Color : Only Black



### ITEM EJG30638GP

- ▶ Overall Size : 660(W)\*520(D)\*1080~1180(H)mm
- ▶ Back : PVC leather
- ▶ Mechanism : Back tilt
- ▶ Seat : PVC leather
- ▶ Armrest : PU, Height adjustable and 90° backward swivelable.
- ▶ Caster : Nylon
- ▶ Base : 350 mm , Nylon
- ▶ Gas spring : Stroke-100mm
- ▶ Color : Only Black



### ITEM EJG30738GP

- ▶ Overall Size : 660(W)\*500(D)\*900~1000(H)mm
- ▶ Back : PVC leather
- ▶ Mechanism : Back tilt
- ▶ Seat : PVC leather
- ▶ Armrest : PU, Height adjustable and 90° backward swivelable.
- ▶ Caster : Nylon
- ▶ Base : 330 mm , Nylon
- ▶ Gas spring : Stroke-100mm
- ▶ Color : Only Black





# ► OFFICE CHAIR ► Mesh Chair

## OFFICE CHAIR



### ITEM EJG700138GEA

- ▶ Overall Size : 680(W)\*660(D)\*1140~1250(H)mm
- ▶ Headrest: high adjustable and available for forward backward adjustment.
- ▶ Back : Mesh, w/lumbar-support, back tilt 4 position lock
- ▶ Mechanism: Synchronized tilt with 4 position lock
- ▶ Armrest: height adjustable and 90° backward swivelable
- ▶ Caster: Nylon
- ▶ Base: 350mm, aluminum, alloy
- ▶ Gas spring : Stroke-100mm
- ▶ Color : Black ; Other colors available.



### ITEM EJG700238GEA

- ▶ Overall Size : 680(W)\*610(D)\*980~1070(H)mm
- ▶ Back : Mesh, w/lumbar-support, back tilt 4 position lock
- ▶ Mechanism: Synchronized tilt with 4 position lock
- ▶ Armrest: height adjustable and 90° backward swivelable
- ▶ Caster: Nylon
- ▶ Base: 350mm, aluminum, alloy
- ▶ Gas spring : Stroke-100mm
- ▶ Color : Black ; Other colors available.



### ITEM EJG702238GM

- ▶ Overall Size : 640(W)\*540(D)\*910~1000(H)mm
- ▶ Back : Plastic back cover, plastic frame with mesh
- ▶ Mechanism : Back tilt
- ▶ Seat: Red Fabric
- ▶ Armrest: height adjustable and 90° backward swivelable
- ▶ Caster: Nylon
- ▶ Base: 330mm, Nylon
- ▶ Gas spring : Stroke-120mm
- ▶ Color : Black mesh back with red seat
- ▶ Other colors available.



### ITEM E16M32104

- ▶ Overall Size : 679(W)\*648(D)\*972~1295(H)mm
- ▶ Back : Mesh/502(W)\*527(H)\*19(T)mm
- ▶ Seat : Fabric/514(W)\*508(D)\*108(T)mm
- ▶ Armrest : PU (Height adjustable 75mm)
- ▶ Mechanism : Swivel Tilt
- ▶ Caster : φ50mm , Nylon
- ▶ Base : 340mm , Nylon
- ▶ Color : Black ; Other colors available.

# ► OFFICE CHAIR ► Mesh Chair



## OFFICE CHAIR



### ITEM EB011STG

- ▶ Overall Size : 640(W)\*605(D)\*1140~1210(H)mm
- ▶ Back : Nylon frame with mesh/520(W)\*680(H)\*30(T)mm
- ▶ Seat : Nylon frame with mesh/550(W)\*470(D)\*35(T)mm
- ▶ Headrest : Nylon frame Mesh(height & angle adjustable)
- ▶ Armrest : Nolyn(Iron joint) + PU pad(80mm height adjustable)
- ▶ Mechanism : Synchronous type function with 5 position lock
- ▶ Caster :  $\phi$ 50mm , Nylon
- ▶ Base : 345 mm , Aluminum
- ▶ Color of Fabric : Other colors available



### ITEM EB011-3R1STG

- ▶ Overall Size : 640(W)\*605(D)\*1005~1075(H)mm
- ▶ Back : Nylon frame with mesh/520(W)\*680(H)\*30(T)mm
- ▶ Seat : Nylon frame with mesh/550(W)\*470(D)\*35(T)mm
- ▶ Armrest : Nolyn(Iron joint) + PU pad(80mm height adjustable)
- ▶ Mechanism : Synchronous type function with 3 position lock
- ▶ Caster :  $\phi$ 50mm , Nylon
- ▶ Base : 340 mm , Nylon
- ▶ Color of Fabric : Other colors available



### ITEM EKCA-K600STG

- ▶ Overall Size : 635(W)\*670(D)\*1130~1220(H)mm
- ▶ Back : Nylon frame with mesh/445(W)\*675(H)\*50(T)mm
- ▶ Seat : Fabric/520(W)\*530(D)\*65(T)mm
- ▶ Headrest : PU (height adjustable)
- ▶ Armrest : Nylon with PU pad(50mm height adjustable)
- ▶ Mechanism : Synchronous type function with 5 position lock
- ▶ Caster :  $\phi$ 60mm , Nylon
- ▶ Base : 350 mm , Nylon with ABS cover
- ▶ Color of Fabric : Other colors available



### ITEM EZA936-3R1STG

- ▶ Overall Size : 605(W)\*445(D)\*975~1045(H)mm
- ▶ Back : Nylon frame with mesh/490(W)\*650(H)\*30(T)mm
- ▶ Seat : Fabric/505(W)\*470(D)\*35(T)mm
- ▶ Armrest : Nolyn(Iron joint) + PU pad (80mm height adjustable)
- ▶ Mechanism : Synchronous type function with 3 position lock
- ▶ Caster :  $\phi$ 50mm , Nylon
- ▶ Base : 345 mm , Aluminum
- ▶ Color of Fabric : Other colors available



# ► OFFICE CHAIR ► Mesh Chair

## OFFICE CHAIR



### ITEM EJG30638G

- Overall Size : 660(W)\*540(D)\*1080~1180(H)mm
- Back : steel pipe covered by mesh with PVC on top
- Mechanism : Back tilt
- Seat : Fabric
- Armrest : PU, Height adjustable and 90° backward swivelable
- Caster : Nylon
- Base : 350 mm , Nylon
- Gas spring : Stroke-100mm
- Color : Black



### ITEM ESM30705

- Overall Size : 622(W)\*597(D)\*940~1054(H)mm
- Back : Mesh+PU/502(W)\*667(H)\*32(T)mm
- Seat : Fabric/502(W)\*470(D)\*102(T)mm
- Armrest : PU (Height adjustable 75mm)
- Mechanism : Swivel tilt
- Caster : φ50mm , Nylon
- Base : 325mm , Nylon
- Color : Black, Green
- Other colors available.



### ITEM ECS-259B

- Overall Size : 670(W)\*640(D)\*900~990(H)mm
- Back : Mesh/500(W)\*480(H)mm
- Seat : Mesh/470(W)\*500(H)mm
- Armrest : PU (75mm height adjustable)
- Mechanism : Synchronous type
- Caster : φ55mm , Nylon
- Base : 320 mm , Nylon
- Color of Mesh : Other colors available

# ► OFFICE CHAIR ► Mesh Chair



## OFFICE CHAIR



### ITEM EJG606138GES

- ▶ Overall Size : 680(W)\*790(D)\*1070~1160(H)mm
- ▶ Headrest: Mesh, height and angle adjustable
- ▶ Back : Mesh, W/lumbar-support
- ▶ Mechanism: Synchronized tilt with 4 position lock
- ▶ Seat: Fabric
- ▶ Armrest : PU, Height adjustable and 90° backward swivelable
- ▶ Caster : Nylon
- ▶ Base : 350 mm , Nylon
- ▶ Gas spring : Stroke-100mm
- ▶ Color : Black



### ITEM EJG606238GES

- ▶ Overall Size : 680(W)\*650(D)\*920~1010(H)mm
- ▶ Back : Mesh, W/lumbar-support
- ▶ Mechanism: Synchronized tilt with 4 position lock
- ▶ Seat: Fabric
- ▶ Armrest : PU, Height adjustable and 90° backward swivelable
- ▶ Caster : Nylon
- ▶ Base : 350 mm , Nylon
- ▶ Gas spring : Stroke-100mm
- ▶ Color : Black



### ITEM EJG30738G

- ▶ Overall Size : 660(W)\*500(D)\*900~1000(H)mm
- ▶ Back : Mesh
- ▶ Mechanism : Back tilt
- ▶ Seat : Fabric
- ▶ Armrest : PU, Height adjustable and 90° backward swivelable
- ▶ Caster : Nylon
- ▶ Base : 330 mm , Nylon
- ▶ Gas spring : Stroke-100mm
- ▶ Color : Black



# ► OFFICE CHAIR ► Mesh Chair

## OFFICE CHAIR



### ITEM ECM20101C

- ▶ Overall Size : 666(W)\*558(D)\*1160~1250(H)mm
- ▶ Back : Mesh fabric/502(W)\*667(H)\*51(T)mm
- ▶ Seat : Micro fiber/495(W)\*457(D)\*70(T)mm
- ▶ Armrest : PP arm w/PU padded  
(Height adjustable: 80mm)
- ▶ Mechanism : Synchronized tilt with slide
- ▶ Caster :  $\phi$ 55mm , PA
- ▶ Base : 350mm , Aluminum
- ▶ Color : Black
- ▶ Other colors available.



### ITEM ECM20056A

- ▶ Overall Size :  
705(W)\*597~648(D)\*1200~1289(H)mm
- ▶ Back : Mesh fabric/502(W)\*876(H)\*114(T)mm
- ▶ Seat : Mesh fabric/521(W)\*457(D)\*45(T)mm
- ▶ Armrest : PU padded adjustable armrest
- ▶ Mechanism : Synchro mechanism
- ▶ Caster : Nylon
- ▶ Base : 350mm , Aluminum
- ▶ Color : Black
- ▶ Other colors available.



### ITEM ECM24050A

- ▶ Overall Size :  
705(W)\*527~578(D)\*1022~1111(H)mm
- ▶ Back : Mesh fabric/502(W)\*667(H)\*114(T)mm
- ▶ Seat : Mesh fabric/521(W)\*457(D)\*45(T)mm
- ▶ Armrest : PU padded adjustable armrest
- ▶ Mechanism : Synchro mechanism
- ▶ Caster : Nylon
- ▶ Base : 350mm , Aluminum
- ▶ Color : Black
- ▶ Other colors available.

# ► OFFICE CHAIR ► Fabric Chair



## OFFICE CHAIR



### ITEM EJG702238GMC

- ▶ Overall Size : 640(W)\*540(D)\*940~1030(H)mm
- ▶ Back: Plastic back cover.  
Plastic frame with mesh and fabric cover
- ▶ Mechanism : Back tilt
- ▶ Armrest : Nylon + PU pad, Height adjustable and 90° backward swivelable
- ▶ Caster: Nylon
- ▶ Base: 330mm, Nylon
- ▶ Gas spring : Stroke-120mm
- ▶ Color of Fabric : Other colors available



### ITEM EA137-3A1M1STG

- ▶ Overall Size : 660(W)\*635(D)\*985~1055(H)mm
- ▶ Back : Fabric/495(W)\*675(H)\*76(T)mm
- ▶ Seat : Fabric/525(W)\*500(D)\*100(T)mm
- ▶ Armrest : PU
- ▶ Mechanism : Synchronous type
- ▶ Caster :  $\phi$ 50mm , Nylon
- ▶ Base : 350 mm , aluminum
- ▶ Color of Fabric : Other colors available



### ITEM EA140-3STG

- ▶ Overall Size : 590(W)\*580(D)\*935~1025(H)mm
- ▶ Back : Fabric/480(W)\*655(H)\*64(T)mm
- ▶ Seat : Fabric/480(W)\*455(D)\*95(T)mm
- ▶ Armrest : PP
- ▶ Mechanism : Synchronous type
- ▶ Caster :  $\phi$ 50mm , Nylon
- ▶ Base : 325 mm , Nylon
- ▶ Color of Fabric : Other colors available



### ITEM EA525-3STG

- ▶ Overall Size : 660(W)\*640(D)\*1065~1155(H)mm
- ▶ Back : Fabric/520(W)\*690(H)\*57(T)mm
- ▶ Seat : Fabric/520(W)\*540(D)\*89(T)mm
- ▶ Armrest : PU (60mm height adjustable)
- ▶ Mechanism : Synchronous type
- ▶ Caster :  $\phi$ 50mm , Nylon
- ▶ Base : 330 mm , aluminum
- ▶ Color of Fabric : Other colors available



## ► OFFICE CHAIR ► Fabric Chair

# OFFICE CHAIR



### ITEM EKCA-H400TG

- ▶ Overall Size : 635(W)\*630(D)\*1230~1320(H)mm
- ▶ Back : Fabric/480(W)\*865(H)\*70(T)mm
- ▶ Seat : Fabric/510(W)\*520(D)\*95(T)mm
- ▶ Armrest : PP
- ▶ Mechanism : Butterfly Plate
- ▶ Caster :  $\phi$ 50mm , Nylon
- ▶ Base : 350 mm , Nylon
- ▶ Color of Fabric : Other colors available



### ITEM EA072-3R1STG

- ▶ Overall Size : 705(W)\*720(D)\*1005~1075(H)mm
- ▶ Back : Fabric/500(W)\*540(H)\*80(T)mm
- ▶ Seat : Fabric/530(W)\*510(D)\*70(T)mm
- ▶ Armrest : PU (80mm height adjustable)
- ▶ Mechanism : Synchronous type
- ▶ Caster :  $\phi$ 50mm , Nylon
- ▶ Base : 350 mm , Iron
- ▶ Color of Fabric : Other colors available



### ITEM ESM69311

- ▶ Overall Size : 660(W)\*724(D)\*1086~1175(H)mm
- ▶ Back : Fabric/527(W)\*724(H)\*127(T)mm
- ▶ Seat : Fabric/527(W)\*514(D)\*114(T)mm
- ▶ Armrest : PP
- ▶ Mechanism : Swivel tilt
- ▶ Caster :  $\phi$ 50mm , Nylon
- ▶ Base : 350mm , Nylon
- ▶ Color : Brown
- ▶ Other colors available.

# ► OFFICE CHAIR ► Fabric Chair



## OFFICE CHAIR



### ITEM ESM86313

- Overall Size : 552(W)\*533(D)\*838~953(H)mm
- Back : Fabric/324(W)\*375(H)\*81(T)mm
- Seat : Fabric/413(W)\*457(D)\*107(T)mm
- Armrest : PP
- Mechanism : Pneumatic Seat Plate
- Caster :  $\phi$ 50mm , Nylon
- Base : 280mm , Nylon
- Color : Black
- Other colors available.



### ITEM E16M30140

- Overall Size : 591(W)\*635(D)\*921~991(H)mm
- Back : Mesh+PVC/464(W)\*502(H)\*83(T)mm
- Seat : Mesh+PVC/483(W)\*457(D)\*83(T)mm
- Armrest : PU (Height adjustable 65mm)
- Mechanism : Pneumatic Seat Plate
- Caster :  $\phi$ 50mm , Nylon
- Base : 330mm , Iron powder coating
- Color : Wine red, Black
- Other colors available.



### ITEM ESM86300

- Overall Size : 635(W)\*616(D)\*921~1010(H)mm
- Back : Fabric/483(W)\*527(H)\*64(T)mm
- Seat : Fabric/514(W)\*483(D)\*102(T)mm
- Armrest : PU (Height adjustable 75mm)
- Mechanism : Swivel tilt
- Caster :  $\phi$ 50mm , Nylon
- Base : 325mm , Nylon
- Color : Gray
- Other colors available.





# ► OFFICE CHAIR ► Others Chair

## OFFICE CHAIR



### ITEM ESM84325

- Overall Size : 476(W)\*572(D)\*864~972(H)mm
- Back : PU/438(W)\*406(H)\*64(T)mm
- Seat : PU/476(W)\*413(D)\*70(T)mm
- Mechanism : Pneumatic Seat Plate
- Caster :  $\phi$ 50mm , Nylon
- Base : 280mm , Nylon
- Color : Black
- Other colors available.



### ITEM EKCA-G504

- Overall Size : 585(W)\*610(D)\*940(H)mm
- Back : Plastic + Fabric/470(W)\*650(H)\*30(T)mm
- Seat : Fabric/490(W)\*520(D)\*80(T)mm
- Armrest : Iron
- Mechanism : None
- Caster : None
- Base : Iron
- Color : Other colors available



### ITEM EKCT-E6051

- Overall Size : 520(W)\*540(D)\*875(H)mm
- Back : Plastic/430(W)\*445(H)\*80(T)mm
- Seat : Fabric/480(W)\*460(D)\*80(T)mm
- Armrest : None
- Mechanism : None
- Caster : None
- Base : Iron
- Color : Other colors available



### ITEM ECM29026A

- Overall Size : 578(W)\*597(D)\*1016(H)mm
- Back : Mesh fabric/502(W)\*667(H)\*114(T)mm
- Seat : Mesh fabric/521(W)\*457(D)\*45(T)mm
- Armrest : Metal arms w/PP cover
- Mechanism : None
- Caster : None
- Base : Metal frame/Chrome plated
- Color : Other colors available

# ► OFFICE CHAIR ► Others Chair



## OFFICE CHAIR



**ITEM** EJG4051545MG

- ▶ Overall Size : 510(W)\*515(D)\*825~940(H)mm
- ▶ Back : Plastic· reach ergonomics
- ▶ Seat : Plastic + Urethan sheet reach ergonomics
- ▶ Frame : Steel
- ▶ Armrest : Nylon
- ▶ Caster : Nylon
- ▶ Base : 300mm , Nylon
- ▶ Gas spring : Stroke-120mm
- ▶ Color : Red, Black ; Other colors available.



**ITEM** EJG405245C

- ▶ Overall Size : 510(W)\*550(D)\*850(H)mm
- ▶ Back : Plastic· reach ergonomics
- ▶ Seat : Plastic· reach ergonomics
- ▶ Frame : Steel
- ▶ Armrest : Nylon
- ▶ Caster : Nylon
- ▶ Color : Grey ; Others colors available.



**ITEM** EJG405345

- ▶ Overall Size :
- ▶ 510(W)\*585(D)\*840(H)mm
- ▶ Back : Plastic· reach ergonomics
- ▶ Seat : Plastic· reach ergonomics
- ▶ Frame : Steel
- ▶ Armrest : Nylon
- ▶ Color : Green ; Others colors available.



**ITEM** EA851-9R2

- ▶ Overall Size : 530(W)\*610(D)\*850(H)mm
- ▶ Back : Mesh/530(W)\*370(H)\*30(T)mm
- ▶ Seat : Fabric/530(W)\*500(D)\*80(T)mm
- ▶ Armrest : None
- ▶ Mechanism : None
- ▶ Caster : None
- ▶ Base : Iron
- ▶ Color : Other colors available

# ► FURNITURE PARTS ► Caster

## CASTER

### 40mm Caster series

	<p>Item ESC30</p> <p>Description Size : WHEEL-<math>\Phi</math>30mm</p> <p>Material : Nylon (COLOR:BLACK)</p>
	<p>Item E3TW40NYS-BK</p> <p>Description Size : Hooded 40mm Caster</p> <p>Socket stem : <math>\Phi</math>8*38L</p> <p>AXLE: <math>\Phi</math>7MM</p> <p>Material : Nylon (COLOR:BLACK)</p>
	<p>Item E3TW40PUF-BG</p> <p>Description Size : WHEEL-40mm</p> <p>Socket Stem : <math>\Phi</math>8X25.5L</p> <p>Material : Nylon+PU (COLOR:BLACK)</p>
	<p>Item EUS37T-BK</p> <p>Description Size : WHEEL-37mm</p> <p>Thread Stem : 5/16"*3/4"</p> <p>Material : Nylon (COLOR:BLACK)</p>
	<p>Item EUSB37T-BK</p> <p>Description Size : WHEEL-37mm, W/Stopper,</p> <p>Thread Stem : 5/16"*3/4"</p> <p>Material : Nylon (COLOR:BLACK)</p>

# ► FURNITURE PARTS ► Caster

## 50mm Caster series

# CASTER

	<p>Item E3CTWAB38/50PUF-BK</p> <p>Description Size : Hooded 50mm Barrel 38mm PU Caster W/Auto Stopper(Under Load, the Caster Locks)</p> <p>Stem : <math>\Phi</math> 11*22L</p> <p>AXLE:<math>\Phi</math>7MM</p> <p>Material : Nylon+PU ( COLOR:BLACK )</p>
	<p>Item E3TWB50NYF-BK</p> <p>Description Size : Hooded 50mm Caster W/Brake</p> <p>Stem : <math>\Phi</math> 11*35L</p> <p>AXLE:<math>\Phi</math>7MM</p> <p>Material : Nylon ( COLOR:BLACK )</p>
	<p>Item E3CTW27/50NYF-BK</p> <p>Description Size : Hooded 50mm Barrel 27mm Caster</p> <p>Stem : brass band <math>\Phi</math>11*22L</p> <p>AXLE:<math>\Phi</math>7MM</p> <p>Material : Nylon ( COLOR:BLACK )</p>
	<p>Item E3UTW50PUF-2GY</p> <p>Description Size : Unhooded 50mm Caster</p> <p>Stem : <math>\Phi</math>11*22L</p> <p>AXLE:<math>\Phi</math>7MM</p> <p>Material : Nylon+PU ( COLOR:GRAY )</p>
	<p>Item E3UTWB50PUF-BK</p> <p>Description Size : Unhooded 50mm Caster W/Brake</p> <p>Stem : <math>\Phi</math>11*22L</p> <p>AXLE:<math>\Phi</math>7MM</p> <p>Material : Nylon+PU ( COLOR:BLACK )</p>
	<p>Item E3TW50PUF-GY</p> <p>Description Size : Hooded 50mm Caster</p> <p>Stem : <math>\Phi</math>11*22L</p> <p>AXLE:<math>\Phi</math>6MM</p> <p>Material : Nylon+PU ( COLOR:Nylon:GRAY/PU:BLACK )</p>

# ► FURNITURE PARTS ► Caster

## CASTER

### 50mm Caster series

	<p>Item E3UTWR50NYP-BK</p> <p>Description Size : Unhooded 50mm Caster Rivet, Plate Stem : 50.8*50.8mm AXLE:Φ7MM</p> <p>Material : Nylon ( COLOR:BLACK )</p>
	<p>Item E3UTWBR50NYP-BK</p> <p>Description Size : Unhooded 50mm Caster Rivet, W/Brake Plate Stem : 50.8*50.8mm AXLE:Φ7MM</p> <p>Material : Nylon ( COLOR:BLACK )</p>
	<p>Item E3UTWBR50NYT-BK</p> <p>Description Size : Unhooded 50mm Caster Rivet, W/Brake Thread Stem : 3/8-16**15mm AXLE:Φ7MM</p> <p>Material : Nylon ( COLOR:BLACK )</p>
	<p>Item E3CTWA38/50PUF-BK</p> <p>Description Size : Hooded 50mm Barrel 38mm PU Caster W/Auto Stopper(Not Under Load, the Caster Locks) Stem : Φ 11*22L AXLE:Φ7MM</p> <p>Material : Nylon+PU ( COLOR:BLACK )</p>
	<p>Item E3CTWB38/50NYT-BK</p> <p>Description Size : Hooded 50mm Caster W/Brake Thread Stem: 3/8**15mm AXLE:Φ7MM</p> <p>Material : Nylon ( COLOR:BLACK )</p>

# ► FURNITURE PARTS ► Caster

## CASTER

### 50mm Caster series

	<p>Item E3CTWB38/50PUT-GY</p> <p>Description Size : Hooded 50mm Caster W/Brake Thread Stem: 3/8"*15mm AXLE:Φ7MM</p> <p>Material : Nylon+PU ( COLOR:GRAY )</p>
	<p>Item EJZ50CHT-BK</p> <p>Description Size : Hooded 50mm Caster, Hood:Zinc Die Casting, Cap: ABS Chrome Thread Stem: 3/8"*15mm AXLE:Φ7MM</p> <p>Material : Nylon ( COLOR:BLACK )</p>
	<p>Item EJZB50CHT-BK</p> <p>Description Size : Hooded 50mm Caster, Hood:Zinc Die Casting, Cap: ABS Chrome Thread Stem: 3/8"*15mm</p> <p>Material : AXLE:Φ7MM Nylon ( COLOR:BLACK )</p>
	<p>Item E3TW50NYHF-BK</p> <p>Description Size : Hooded 50mm Caster,W/Stainless hood Stem : Φ11*22mm AXLE:Φ7MM</p> <p>Material : Nylon ( COLOR:BLACK )</p>
	<p>Item E3TWB50NYHF-BK</p> <p>Description Size : Hooded 50mm Caster,W/Stainless hood, Brake Stem : Φ11*22mm AXLE:Φ7MM</p> <p>Material : Nylon ( COLOR:BLACK )</p>

### 50mm Caster series

	<p>Item E3TW50NYF-BK</p> <p>Description Size : Hooded 50mm Caster Stem : <math>\Phi 3/8 \times 25L</math> AXLE:<math>\Phi 7MM</math></p> <p>Material : Nylon ( COLOR:BLACK )</p>
	<p>Item E3CTW50/38PUF-BK</p> <p>Description Size : 50/38mm Caster Stem: <math>\Phi 11 \times 22L</math></p> <p>Material : Nylon + PU ( COLOR:BLACK )</p>
	<p>Item E3UTWB55NYF-BK</p> <p>Description Size : Unhooded 55mm Caster Stem : <math>\Phi 11 \times 22mm</math></p> <p>Material : Nylon ( COLOR:GRAY )</p>
	<p>Item E3CTWB38_50NYF-BK</p> <p>Description Size : WHEEL-<math>\Phi 50mm</math> BARREL:38mm W/Brake(Fall Friction Brake) Stem : <math>\Phi 11 \times 22mm</math> AXLE:<math>\Phi 7MM</math></p> <p>Material : Nylon ( COLOR:BLACK )</p>
	<p>Item EHP3750-BK</p> <p>Description Size : WHEEL-50mm Stem : <math>\Phi 11 \times 22mm</math></p> <p>Material : Nylon ( COLOR: BLACK )</p>
	<p>Item EHPB3750-BK</p> <p>Description Size : WHEEL-50mm Stem : <math>\Phi 11 \times 22mm</math></p> <p>Material : Nylon ( COLOR:BLACK )</p>

## 60mm Caster series

	<p>Item E3UTW60NYF-BK</p> <p>Description Size : Unhooded 60mm Caster Stem : <math>\Phi 11 \times 22</math> L AXLE: <math>\Phi 7</math> MM</p> <p>Material : Nylon ( COLOR:BLACK )</p>
	<p>Item E3UTWR60NYT-BK</p> <p>Description Size : Unhooded 60mm Caster Riveted Thread Stem: M10x15L AXLE: <math>\Phi 7</math> MM</p> <p>Material : Nylon ( COLOR:BLACK )</p>
	<p>Item E3UTWBR60NYP-BK</p> <p>Description Size : Unhooded 60mm Caster Riveted Brake TOP PLATE Stem: 44.5*44.5*44.5 AXLE: <math>\Phi 8</math> MM</p> <p>Material : Nylon ( COLOR:BLACK )</p>
	<p>Item E3TWB60NYT-GY</p> <p>Description Size : Hooded 60mm Caster W/Brake Thread Stem: M10*15L AXLE: <math>\Phi 7</math> MM</p> <p>Material : Nylon ( COLOR:GRAY )</p>
	<p>Item E3UTW36/60PUF-GY</p> <p>Description Size : Unhooded 60mm Barrel 36mm Caster Stem : <math>\Phi 11 \times 11 \times 20.5</math> L AXLE: <math>\Phi 7</math> MM</p> <p>Material : Nylon+PU ( COLOR:GRAY )</p>
	<p>Item E3UTW36/60PUF-2GY</p> <p>Description Size : Unhooded 60mm Barrel 36mm Caster Stem : <math>\Phi 11 \times 11 \times 20.5</math> L AXLE: <math>\Phi 7</math> MM</p> <p>Material : Nylon+PU ( COLOR:GRAY )</p>



# ► FURNITURE PARTS ► Caster

## CASTER

### 60mm Caster series

	<p>Item E3TW60NYS-BK</p> <p>Description Size : Hooded 60mm Caster Socket stem : Ø8*38L AXLE:Φ7MM</p> <p>Material : Nylon ( COLOR:BLACK )</p>
	<p>Item EBZ-60CH</p> <p>Description Size : WHEEL-60mm Thread Stem : 3/8*3/4L</p> <p>Material : ZINC DIE CASTING ( COLOR:SILVERY )</p>
	<p>Item EMF-60</p> <p>Description WHEEL-60mm Plate : 2*42*42mm</p> <p>Material : Nylon/PP ( COLOR:GREY )</p>
	<p>Item EUDB-60BK(ROHS)</p> <p>Description Size : WHEEL-60mm ( W/Brake ) Stem : Φ11*22L</p> <p>Material : Nylon ( COLOR:BLACK )</p>
	<p>Item E3TW65NYF-R_BK</p> <p>Description Size : Unhooded 65mm Caster, TPR Ring: Red / Nylon:Black Stem : Φ11*22mm AXLE:Φ7MM</p> <p>Material : Nylon ( COLOR:BLACK )</p>
	<p>Item E3UCTW65NYF-BK</p> <p>Description Size : Unhooded 65mm Caster Stem : Φ11*22mm</p> <p>Material Nylon ( COLOR:BLACK )</p>

60mm Caster series

	<p>Item E3UCTW65NYF-BK                  Description Size : Unhooded 65mm Caster                  Stem : <math>\Phi 11*22</math> L                  Material Nylon ( COLOR:BLACK )</p>
	<p>Item E3TW65PUF-BK                  Description Size : Hooded 65mm Caster                  Stem : <math>\Phi 11*22</math> m m                  Material Nylon+PU ( COLOR:BLACK )</p>
	<p>Item E3TWB65PUF-BK                  Description Size : Hooded 65mm Caster, W/Brake                  Stem : <math>\Phi 11*22</math> L                  Material Nylon+PU ( COLOR:BLACK )</p>
	<p>Item E3UTW60PUF-BK                  Description Size : Unhooded 60mm Caster                  Stem : <math>\Phi 11*22</math> m m                  Material Nylon ( COLOR:BLACK, Silver Spoke Wheel )</p>
	<p>Item E3UTWB60PUF-BK                  Description Size : Unhooded 60mm Caster, W/Brake                  Stem : <math>\Phi 11*22</math> m m                  Material Nylon ( COLOR:BLACK, Silver Spoke Wheel )</p>

# ► FURNITURE PARTS ► Caster

## CASTER

### 70mm Caster series

	<p>Item E3UTWBR75PUP-BK</p> <p>Description Size : Unhooded 75mm Caster Riveted Brake TOP PLATE Stem: 55*65*3t AXLE:Φ8MM</p> <p>Material : Nylon+PU ( COLOR:GRAY )</p>
	<p>Item E3UTWB75PUF-GY</p> <p>Description Size : Unhooded 75mm Caster W/Brake Stem : Φ11*22L AXLE:Φ8MM</p> <p>Material : Nylon+PU ( COLOR:GRAY )</p>
	<p>Item E3UTWBR75PUP-BK</p> <p>Description Size : Unhooded 75mm Caster W/Brake top plate Stem: 38*38 AXLE:Φ8MM</p> <p>Material : Nylon ( COLOR:BLACK )</p>
	<p>Item E3UTWB75NYT-BK</p> <p>Description Size : Unhooded 75mm Caster W/Brake Thread Stem: M10*10L AXLE:Φ8MM</p> <p>Material : Nylon ( COLOR:BLACK )</p>
	<p>Item EMF-75</p> <p>Description Size : Unhooded 75mm Caster Thread Stem: M10*15L</p> <p>Material : Nylon+PP(COLOR:GREY)</p>
	<p>Item EMFB-75</p> <p>Description Size : Unhooded 75mm Caster W/Brake Thread Stem: M10*15L</p> <p>Material : Nylon+PP(COLOR:GREY)</p>

# ► FURNITURE PARTS ► Caster

## CASTER

### 70mm Caster series

	<p>Item EJSB-75NYBK</p> <p>Description Size : Unhooded 75mm Caster W/Brake Stem : NO</p> <p>Material : Nylon ( COLOR:BLACK )</p>
	<p>Item EJSB-75PUBK</p> <p>Description Size : Unhooded 75mm Caster W/Brake Stem : NO</p> <p>Material : Nylon+PU ( COLOR:BLACK )</p>
	<p>Item EJP-75VC</p> <p>Description Size : Unhooded 75mm Caster Plate : 3*42*63mm</p> <p>Material : Polyamide+ABS(COLOR:BLACK)</p>
	<p>Item E3TW75NYF-GR_BK</p> <p>Description Size : Unhooded 75mm Caster, TPR Ring: Gray / Nylon:Black</p> <p>Stem : <math>\Phi 11 \times 22</math>mm</p> <p>AXLE:<math>\Phi 8</math>MM</p> <p>Material : Nylon ( COLOR:BLACK )</p>
	<p>Item E3TWB75NYF-GR_BK</p> <p>Description Size : Unhooded 75mm Caster, W/Brake, TPR Ring: Gray / Nylon:Black</p> <p>Stem : <math>\Phi 11 \times 22</math>mm</p> <p>Material : AXLE:<math>\Phi 8</math>MM Nylon ( COLOR:BLACK )</p>
	<p>Item E3UTW75NYF-BK</p> <p>Description Size : Unhooded 75mm Caster</p> <p>Stem : <math>\Phi 11 \times 22</math>mm</p> <p>Material : Nylon+ABS ( COLOR:BLACK )</p>

# ► FURNITURE PARTS ► Caster

## CASTER

### 70mm Caster series

	<p>Item ETS75-BK</p> <p>Description Size : Unhooded 75mm Caster Stem : No</p> <p>Material : Nylon ( COLOR:BLACK )</p>
	<p>Item ETSB75-BK</p> <p>Description Size : Unhooded 75mm Caster W/Brake Stem : No</p> <p>Material Nylon ( COLOR:BLACK )</p>
	<p>Item EFHB-75GY</p> <p>Description Size : WHEEL-75mm ( COLOR:GREY ) Stem : <math>\Phi 12*25L</math></p> <p>Material : Polypropylene with Type Tread</p>
	<p>Item EFHB-75GY</p> <p>Description Size : WHEEL-75mm W/Brake ( COLOR:GREY ) Stem : <math>\Phi 12*25L</math></p> <p>Material : Polypropylene with Type Tread</p>

### 100mm Caster series

	<p>Item E3UTWBR100PUF-BK</p> <p>Description Size : Unhooded 100mm Caster Riveted W/Brake Stem : <math>\Phi 11*25L</math> AXLE: <math>\Phi 8MM</math></p> <p>Material : Nylon ( COLOR:BLACK )</p>
---	--

# ► FURNITURE PARTS ► Caster

## 100mm Caster series

**CASTER**

	<p>Item EMFB-100</p> <p>Description Size : 100mm Caster W/Brake Thread Stem: M12*25L</p> <p>Material : Nylon(COLOR:GREY)</p>
	<p>Item EMF-100</p> <p>Description Size : Unhooded 100mm Caster Thread Stem: M12*25L</p> <p>Material : Nylon+PP(COLOR:GREY)</p>
	<p>Item EFHC125B</p> <p>Description Single Wheel 125mm Stem:18 x 96 Direction Lock</p> <p>Material : Housing:Poyamide + Glass Fiber / Cover:Polypropylene / Nylon / Wheel:TPE/TPU</p>
	<p>Item EFHC125AB</p> <p>Description Single Wheel 125mm Stem:18 x 96 Direction Lock</p> <p>Material : Housing:Poyamide + Glass Fiber / Cover:Polypropylene / Nylon / Wheel:TPE/TPU</p>
	<p>Item EMDB-100BG</p> <p>Description Size : Unhooded 100mm Caster W/Brake Stem : M12*24mm</p> <p>Material : Nylon/PU ( COLOR:BLACK+GREY )</p>
	<p>Item EMD-100BG</p> <p>Description Size : Unhooded100mm Caster Stem : M12*24mm</p> <p>Material : Nylon/PU ( COLOR:BLACK+GREY )</p>

# ► FURNITURE PARTS ► Caster

## CASTER

### 100mm Caster series

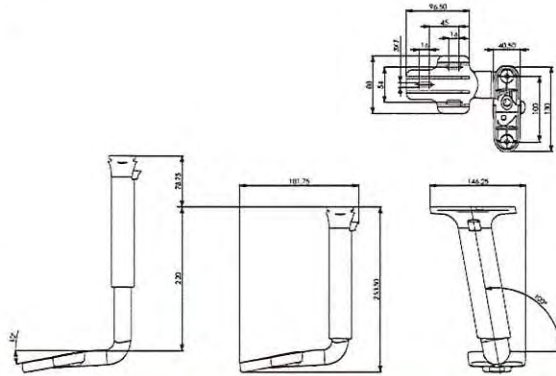
	<p>Item EEU100PUT-GY</p> <p>Description Size : Unhooded100mm Caster Thread Stem : M12*15mm</p> <p>Material : Nylon/PU ( COLOR:GREY )</p>
	<p>Item EEUB100PUT-GY</p> <p>Description Size : Unhooded100mm Caster Thread Stem : M12*15mm</p> <p>Material : Nylon/PU ( COLOR:GREY )</p>
	<p>Item ESL100TPRT-GY</p> <p>Description Size : Unhooded100mm Caster Thread Stem : M12*15mm</p> <p>Material : TPR+Nylon ( COLOR:GREY )</p>
	<p>Item EHO-100ST</p> <p>Description Size : Unhooded100mm Caster W/Brake Thread Stem : M12*15mm</p> <p>Material : TPR+Nylon ( COLOR:GREY )</p>
	<p>Item EDFH100TPRT-GY</p> <p>Description Size : Unhooded100mm Caster Thread Stem : M12*15mm</p> <p>Material : TPR+Nylon ( COLOR:GREY )</p>
	<p>Item EDFHB100TPRT-GY</p> <p>Description Size : Unhooded100mm Caster W/Brake Thread Stem : M12*15mm</p> <p>Material : TPR+Nylon ( COLOR:GREY )</p>

# ► PARTS ► Adjustable Armrest

## ARMREST

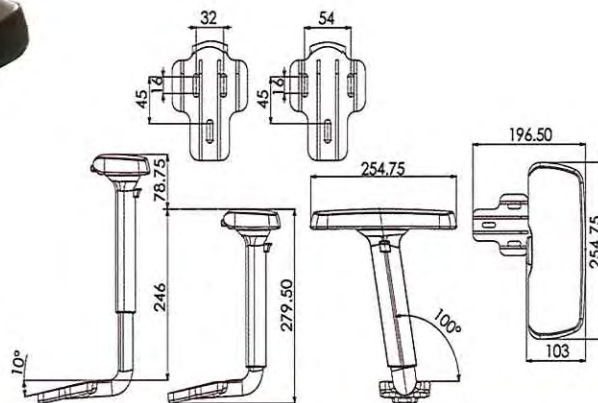
Item ECH630

Description Adjustable Armrest, Plastic carrier build with lockable 3D PU armpad  
1.The 3D pad have 1-3/4" front to back movement, and 1" side movement.  
2.The button could lock the pad at any position.



Item ECH631-ESP005

Description Adjustable Armrest, Plastic carrier build with PU slide armpad.

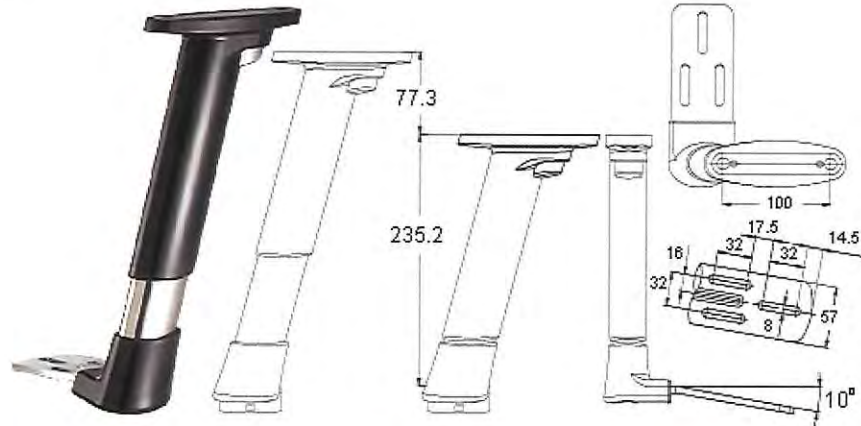




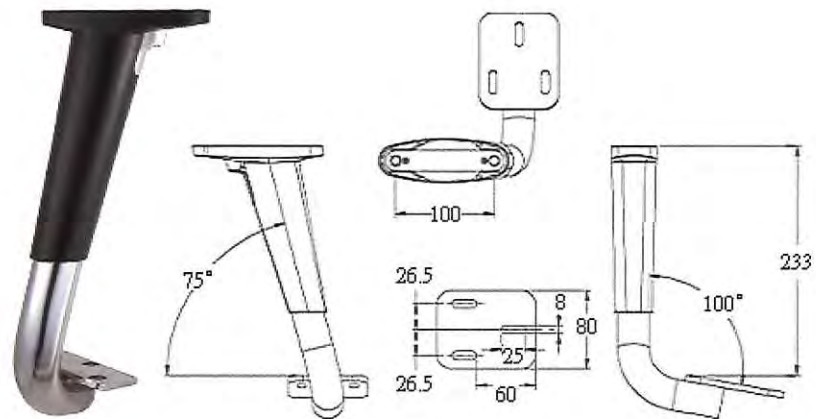
# ► PARTS ► Adjustable Armrest

## ARMREST

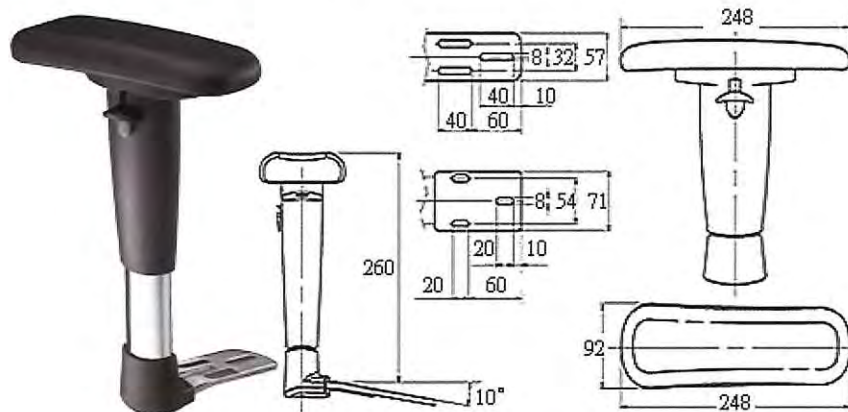
Item ESP628  
 Description Adjustable Armrest  
 Size



Item ECH620  
 Description Adjustable Armrest & Adjustable PAD angle.  
 Size



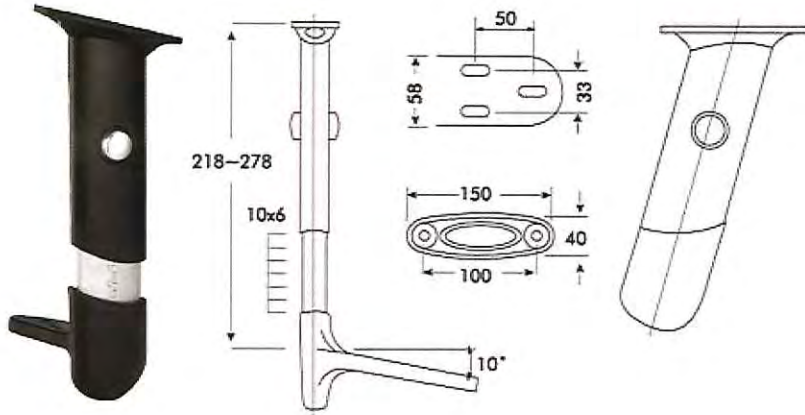
Item ECH-618A  
 Description 1. Adjustable Armrest 2. Adjustable PAD angle & height  
 Size



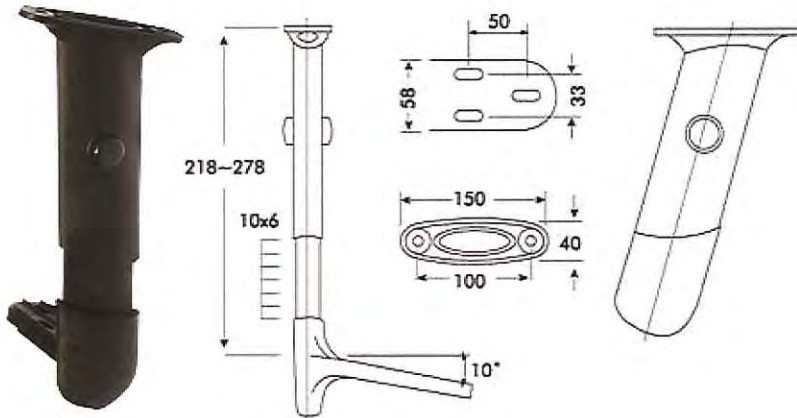
# ► PARTS ► Adjustable Armrest

## ARMREST

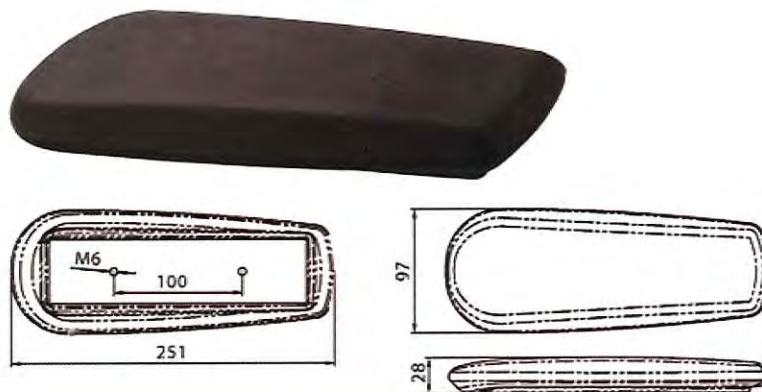
Item ECH609A  
 Description Adjustable Armrest  
 Size



Item ECH609B  
 Description Adjustable Armrest  
 Size



Item ESP-002  
 Material PU  
 Size



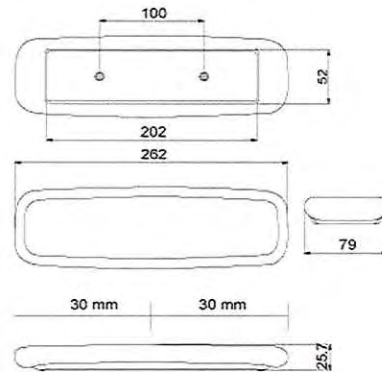
# ► PARTS ► Adjustable Armrest

## ARMREST

Item ESP-003

Material PU

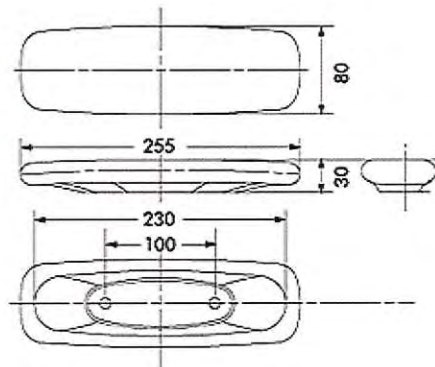
Size



Item ECH-275PU

Material PU

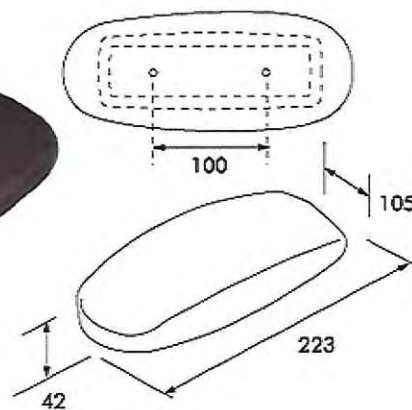
Size



Item ECH269PU

Material PU

Size



# ► PARTS ► Adjustable Armrest

# ARMREST

Item AS31

Description 1. Adjustable Armrest 2. Adjustable PAD angle, height and width

Size

Item EAS593SD3FC-A15P06

Description Multi Type Adjustable Armrest  
1. 5 levels of height adjustment 2. PAD angle adjustment for 2 levels of 30° inner way.  
3. Adjustable of PAD height & width.

Size

Item EAJ61+PD15

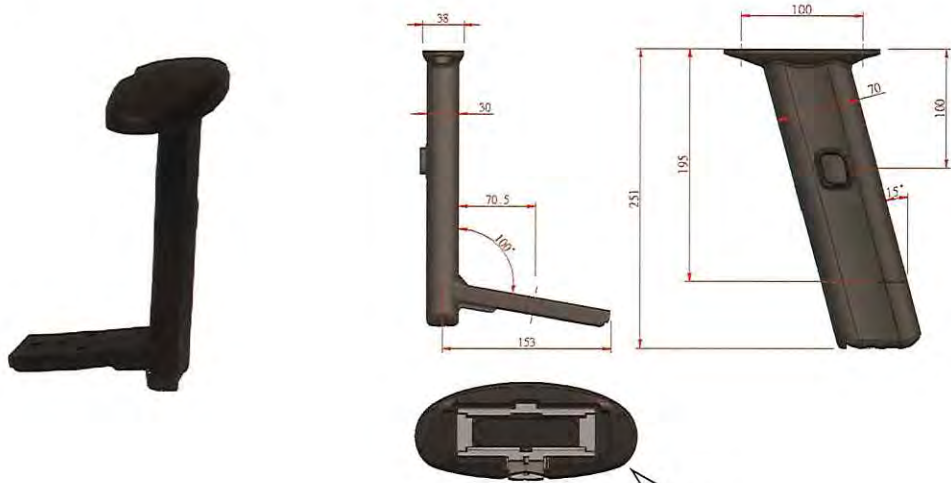
Description Adjustable Armrest

Size:

# ► PARTS ► Adjustable Armrest

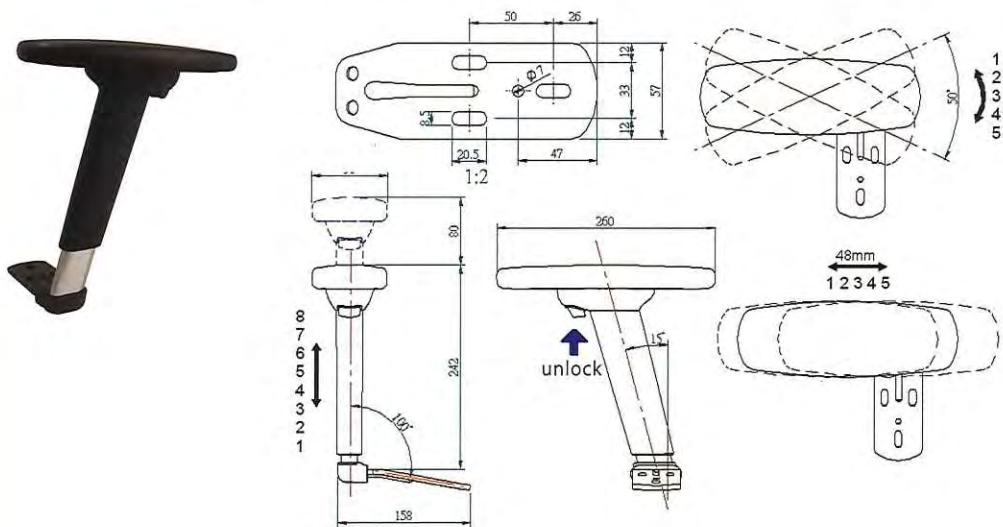
## ARMREST

Item EAJ61+PK2  
 Description 1. Adjustable Armrest 2. Adjustable PAD  
 Size



PAD Length : 250 mm  
 \* Function: slide back + forth --- 66 mm  
 \* Push button to move and loosen it for stop.

Item EAJ711JFC-B01-PD1  
 Description Multi Type Adjustable Armrest  
 Size 1. 8 levels of height adjustment 2. 5 levels of PAD angle adjustment in 50 degree.  
 3. 5 levels of PAD adjustment for front & rear .

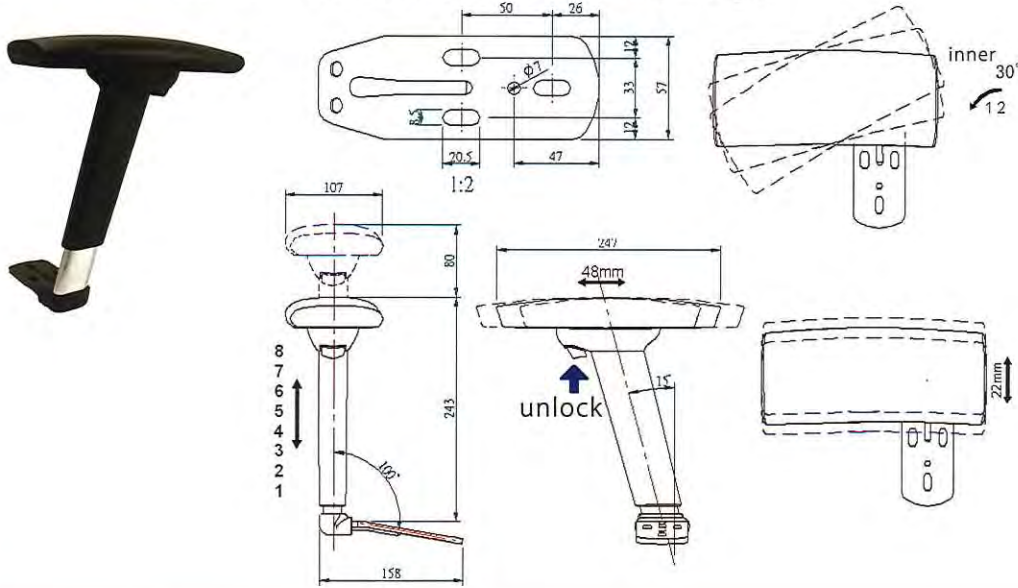


# ▶ PARTS ▶ Adjustable Armrest

## ARMREST

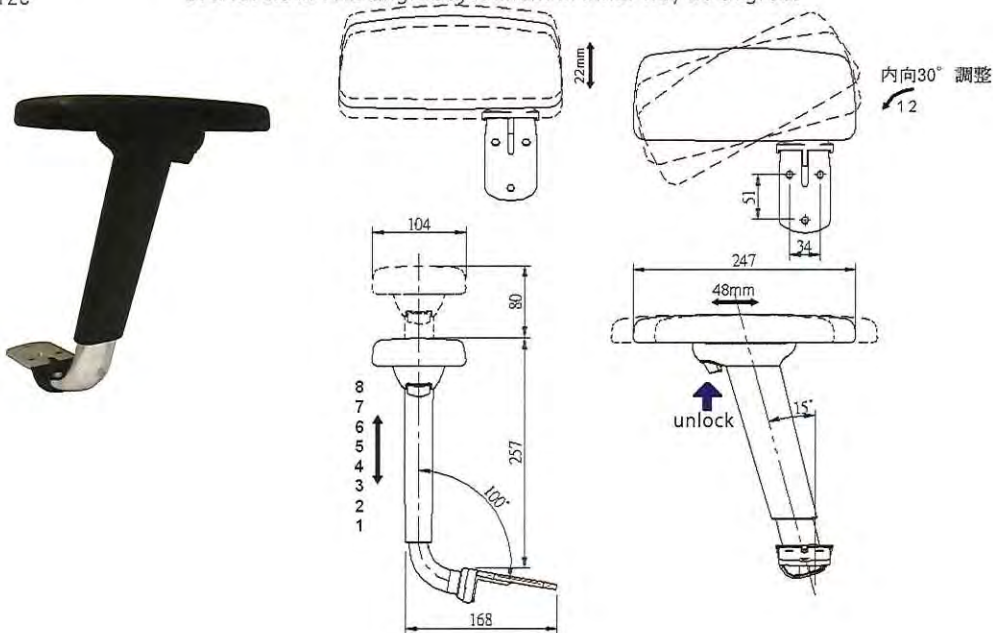
Item EAJ713SFC-B01-PD14

Description Multi Type Adjustable Armrest  
 Size 1. 8 levels of height adjustment 2. Adjustable of PAD width.  
 3. 2 levels of PAD angle adjustment in inner way 30 degree.



Item EAJ723SFC-B02-PD6

Description Multi Type Adjustable Armrest  
 Size 1. 8 levels of height adjustment 2. Adjustable of PAD width.  
 3. 2 levels of PAD angle adjustment in inner way 30 degree.

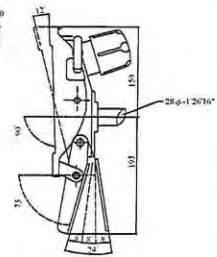
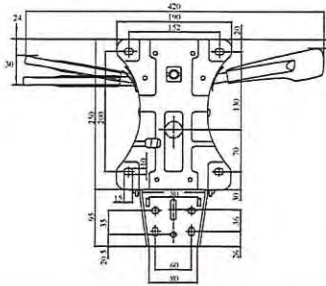
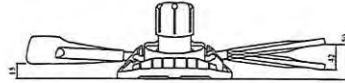


# ► PARTS ► MECHANISM

## MECHANISM

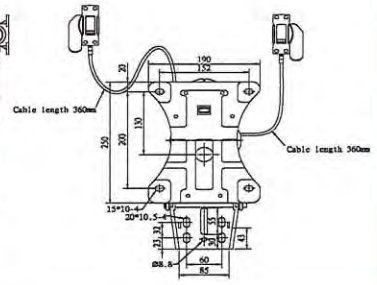
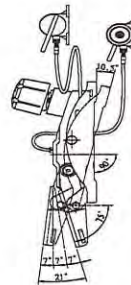
Item **ESN-89K1**

Synchronized mechanism for large and medium chairs.  
 Gas height adjustment.  
 Four lock positions with a return-preventing system on the backrest.



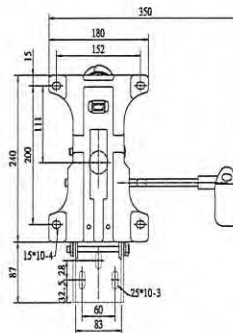
Item **ESN-89-CB**

Synchronized mechanism for large and medium chairs.  
 Gas height adjustment.  
 Four lock positions with a return-preventing system on the backrest.  
 Cable handles easily attached to your product.



Item **ESN-8920**

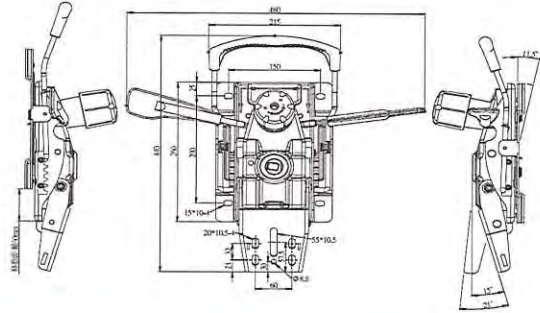
Synchro mechanism for office chairs  
 The tilt ratio for back and seat is 2:1, special design for body, maximum tilt angle 22°, identical control bar for gas height adjustment and lock function, 4 locks available



# ► PARTS ► MECHANISM

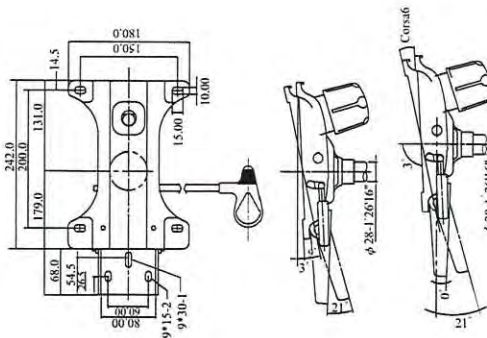
Item **ESN-89S66**

Synchronized mechanism for medium and large office chairs ; backrest and seat tilt at a 2:1 ratio ; ergonomic design ; two levers for gas height adjustment and locking function ; 4 locking positions ; return-preventing system for ebackrest ; tilting function ; assembling with seat slider which can adjust the depth for seat.



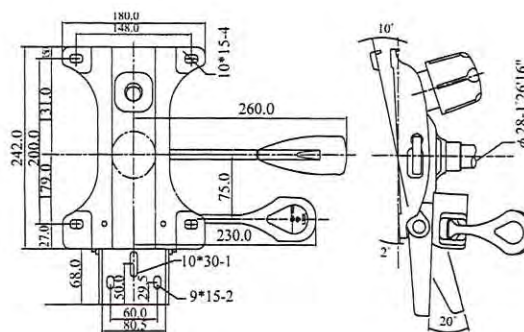
Item **ESN-6835**

Optimum components for large and medium chair Gas lift,tilting function  
Seat which can adjust any angle you like.



Item **ESN-628B**

Optimum components for large and medium chairs.  
Gas height adjustment and lock in any angle.







# ► PARTS ► Aluminum Base

## BASE/FOOTRING

	Item Description	EAH-668P / 668BK / 668SL Length : 668mm Finish : Polished / Black Painted / Silver Painted Material : Aluminum
	Item Description	EAF-320P / 320BK / 320SL EAF-350P / 350BK / 350SL Length : 640mm / 700mm Finish : Polished / Black Painted / Silver Painted Material : Aluminum
	Item Description	EAS-500P / 500BK / 500SL EAS-610P / 610BK / 610SL Length : 500mm / 610mm Finish : Polished / Black Painted / Silver Painted Material : Aluminum
	Item Description	EAP-305P / 305BK / 305SL EAP-668P / 668BK / 668SL Length : 610mm / 668mm Finish : Polished / Black Painted / Silver Painted Material : Aluminum
	Item Description	EAB-350P / 350BK / 350SL EAB-645P / 645BK / 645SL Length : 700mm / 645mm Finish : Polished / Black Painted / Silver Painted Material : Aluminum
	Item Description	EAE-640P / 640BK / 640SL Length : 640mm Finish : Polished / Black Painted / Silver Painted Material : Aluminum
	Item Description	EAT-500PB / 500SB / 500BK Length : 500mm Finish : Top Polished+Bottom Painted / Top Satin+Bottom Painted / Black Painted Material : Aluminum

# ► PARTS ► Nylon Base

## BASE/FOOTRING

	<p>Item ETKC-305BK / 305GY</p> <p>Description Length : : 610mm</p> <p>Material : Nylon</p>
	<p>Item ETKD-300BK / 300GY ETKD-320BK / 320GY ETKD-350BK / 350GY</p> <p>Description Length : : 600mm / 640mm / 700mm</p> <p>Material : Nylon</p>
	<p>Item ETKE-240BK / 240GY ETKE-280BK / 280GY</p> <p>Description Length : : 480mm / 560mm</p> <p>Material : Nylon</p>
	<p>Item ETKF-300BK / 300GY ETKF-320BK / 320GY</p> <p>Description Length : : 610mm</p> <p>Material : Nylon</p>
	<p>Item ETKH-320BK / 320GY</p> <p>Description Length : : 610mm</p> <p>Material : Nylon</p>
	<p>Item ETKL-280BK / 280GY ETKL-300BK / 300GY ETKL-320BK / 320GY ETKL-350BK / 350GY</p> <p>Description Length : 560mm / 600mm / 640mm / 700mm</p> <p>Material : Nylon</p>
	<p>Item ETKR-280BK / 280GY</p> <p>Description Length : : 560mm</p> <p>Material : Nylon</p>
	<p>Item ETKM-310BK / 310GY ETKM-350BK / 350GY</p> <p>Description Length : 620mm / 700mm</p> <p>Material : Nylon</p>

# ► PARTS ► Steel Base

## BASE / FOOT RING

	<p>Item EIPA-320MC / EIPA-350MC</p> <p>Description Length : 640mm / 700mm Material : Steel Pipe</p>
	<p>Item EPCPA-BK / PCPA-FC</p> <p>Description Nylon Cover for EIPA Series Finish : Black / Chrome Material : Nylon</p>
	<p>Item EIOA-280FC / EIOA-300FC / EIOA-320FC EIOA-280SY / EIOA-300SY / EIOA-320SY EIOA-280BK / EIOA-300BK / EIOA-320BK</p> <p>Description Length : 560mm / 600mm / 640mm Finish : Polished / Silver Painted / Black Painted Material : Steel Pipe</p>
	<p>Item EIEA-280FC / EIEA-300FC / EIEA-320FC EIEA-350FC / EIEA-280SY / EIEA-300SY EIEA-320SY / EIEA-350SY / EIEA-350SY EIEA-280BK / EIEA-300BK / EIEA-320BK EIEA-350BK</p> <p>Description Length : 560mm / 600mm / 640mm / 700mm Finish : Polished / Silver Painted / Black Painted Material : Steel Pipe</p>

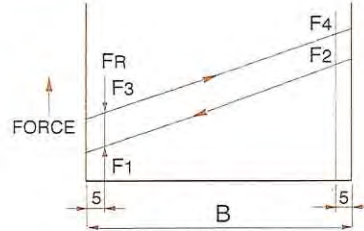
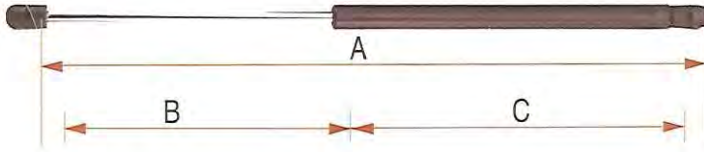
## Foot Ring

	<p>Item ETK-S1</p> <p>Description Diameter : <math>\phi 46</math> c m Material : Steel &amp; Nylon</p>
	<p>Item ETK-F1</p> <p>Description Diameter : <math>\phi 46</math> c m Material : Nylon</p>
	<p>Item ETK-D1</p> <p>Description Diameter : <math>\phi 44</math> c m Material : Nylon</p>
	<p>Item EAR-420P / 420BK / 420C EAR-460P / 460BK / 460C</p> <p>Description Diameter : <math>\phi 420</math>mm / 460mm Finish : Polished / Black Painted / Chrome Material : Aluminum</p>

# ▶ PARTS ▶ Gas Lift

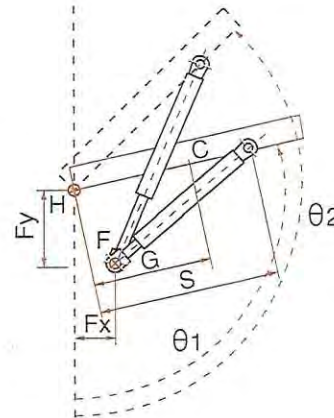
# GAS SPRING / GAS LIFT

## DESIGN REQUIREMENT SHEET FOR GAS LIFT



- F : Fixed point of gas lift.
- H : Hinge point of object.
- C : Center of gravity of the object.
- G : Distance between H and C.
- S : Distance between H and point of gas lift on the object.
- Fx : Horizontal distance between H and F.
- Fy : Vertical distance between H and F.
- $\theta 1$  : Closing angle.
- $\theta 2$  : Opening angle.
- Object weight (kg), W =                    G =                    ;
- Closing angle ( $^{\circ}\theta$ ), 1 =                    ;                    S =                    ;
- Opening angle ( $^{\circ}\theta$ ), 2 =                    ;                    Fx =                    ;
- Dimension (mm),                                Fy =                    .
- Number of gas lift per object :

- A : EXTENDED LENGTH
- B : STROKE LENGTH
- C : BODY LENGTH
- F : LIFT FORCE

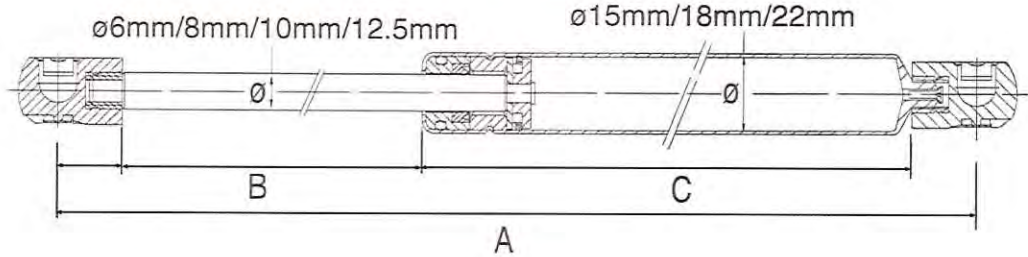


The above data are basically required for installing and manufacturing gas lift. To provide the optimal operating performance of gas lift and reduce your developing schedule for your new products, please fill this sheet correctly.  
 上記資料はご希望の規格に応じて新商品を開発するために必要な資料です。最適な製品を作り、開発時間を節約するため、上記資料を正しくご記入の上、ご連絡ください。

<p><b>NO:1034</b></p>	<p><b>NO:H004</b></p>	<p><b>NO:H005</b></p>	<p><b>NO:H065</b></p>	<p><b>NO:1004</b></p>	<p><b>NO:1011</b></p>
<p><b>NO:H036</b></p>	<p><b>NO:1016</b></p>	<p><b>NO:G018</b></p>	<p><b>NO:1003</b></p>	<p><b>NO:L037</b></p>	<p><b>NO:L005</b></p>
<p><b>NO:J001</b></p>	<p><b>NO:J007</b></p>	<p><b>NO:J038</b></p>	<p><b>NO:H001</b></p>	<p><b>NO:H012</b></p>	<p><b>NO:1H004</b></p>
<p><b>NO:G098</b></p>	<p><b>NO:H271</b></p>	<p><b>NO:G092</b></p>	<p><b>NO:G094</b></p>		

# ▶ PARTS ▶ Gas Lift

## GAS SPRING / GAS LIFT



### OPEN STAY SERIES

The below listed are our standard specifications.  
But customers specifications are also accepted.  
Please contact us for further information.

下記のリストアップされたのはスタンダード規格です。  
お客様のご要望に応じて規格変更できますので、  
お気軽にご相談ください。

Specification :  $\phi 6\text{mm} \times \phi 15\text{mm}$   
Limited production length :  $1030 \pm 3\text{mm}$   
Limited production force :  $350 \pm 30\text{N}$

ITEM NO.	A/mm Extended length	B/mm Stroke length	C/mm Body length	Force(F1) / N
EE0435A	153	46	72	40
EE0393A	254	76	143	220
EE0425A	277	107	135	100
EE0714A	277	46	72	140
EE0474A	277	107	135	150
EE0475A	277	107	135	200
EE0476A	277	107	135	250
EE0389A	306	91	180	130
EE0392A	306	91	180	220
EE0385A	381	140	206	200
EE0394A	381	140	206	265
EE0423A	413	162	216	80
EE0381A	437	178	224	65
EE0604A	310	125	155	70

Specification :  $\phi 12.5\text{mm} \times \phi 22\text{mm}$   
Limited production length :  $1030 \pm 3\text{mm}$   
Limited production force :  $1350 \pm 100\text{N}$

ITEM NO.	A/mm Extended length	B/mm Stroke length	C/mm Body length	Force(F1) / N
EE0725A	235	70	133	1200
EE0693A	329	128	166	1100
EE0712A	355	128	175	1240

Specification :  $\phi 10\text{mm} \times \phi 22\text{mm}$   
Limited production length :  $1030 \pm 3\text{mm}$   
Limited production force :  $900 \pm 40\text{N}$

ITEM NO.	A/mm Extended length	B/mm Stroke length	C/mm Body length	Force(F1) / N
EE0313C-1	326	128	166	650
EE0266F-A	326	128	166	970
EE0318A-A	628	214	382	450
EE0495A-1	329	128	166	850

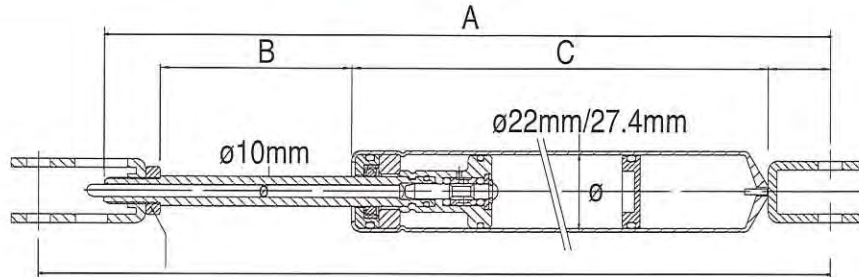
Specification :  $\phi 8\text{mm} \times \phi 18\text{mm}$   
Limited production length :  $1030 \pm 3\text{mm}$   
Limited production force :  $600 \pm 40\text{N}$

ITEM NO.	A/mm Extended length	B/mm Stroke length	C/mm Body length	Force(F1) / N
EE0325A-1	585	250	300	300
EE0403A	489	205	244	150
EE0404A	489	205	244	250
EE0355A	489	205	244	360
EE0396A	381	141	205	355
EE0395A	437	178	224	265
EE0382A	508	203	270	900
EE0390A	508	203	270	130
EE0384A	508	203	270	175
EE0391A	508	203	270	265
EE0398A	508	203	270	350
EE0433A	584	255	294	220
EE0362A	373	141	197	100
EE0363A	373	141	197	150
EE0364A	373	141	197	200
EE0365A	373	141	197	250

ITEM NO.	A/mm Extended length	B/mm Stroke length	C/mm Body length	Force(F1) / N
EE0400A	685	300	350	400
EE0401A	685	300	350	490
EE0402A	685	300	350	530
EE0313B-A	329	128	166	650
EE0266B-A	329	128	166	970
EE0347A-1	500	201	264	280
EE0413A	560	230	295	540
EE0288A-1	326	120	166	970
EE0266D-2	334	128	166	970
EE0373A-1	416	164	212	300
EE074A-1	416	164	212	500
EE0375A-1	416	164	212	600
EE0376A-1	416	164	212	700
EE0377A-1	416	164	212	800
EE0378A-1	416	164	212	1000
EE0697A	525	221	264	450

# ▶ PARTS ▶ Gas Lift

# GAS SPRING / GAS LIFT



## LOCKABLE STAY SERIES

Specification :  $\phi 10\text{mm} \times \phi 22\text{mm} - \phi 10\text{mm} \times \phi 27.4\text{mm}$

Limited production length :  $1030 \pm 3\text{mm}$

Limited production force :  $900 \pm 40\text{N}$

ITEM NO.	A/mm Extended length	B/mm Stroke length	C/mm Body length	Force(F1) / N
EE0496A	343	83	209	350
EE0336A-2	395	99	247	500
EE0250E-1	321	62	204	680
EE0330C-2	322	63	204	620
EE0441A	322	63	204	800
EE0358A-1	305	78	192	180
EE0359A-1	392	124	232	270
EE0696A	379	85	250	370
EE0460A	733.5	251	447	200
EE0399A	173	30	108	550

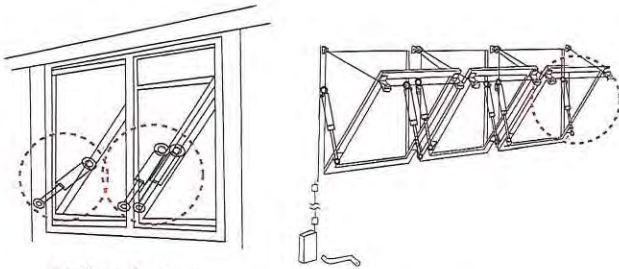
Other size is also accepted.  
Please contact us for further information.

その他の規格もできますので、  
お気軽にご相談ください。

### Applications :

#### For Vehicles

- ▶ Trunk lid トランクのふた
- ▶ Exit / Baggage compartment 手荷物棚
- ▶ Tractor cab 牽引車



## Windows

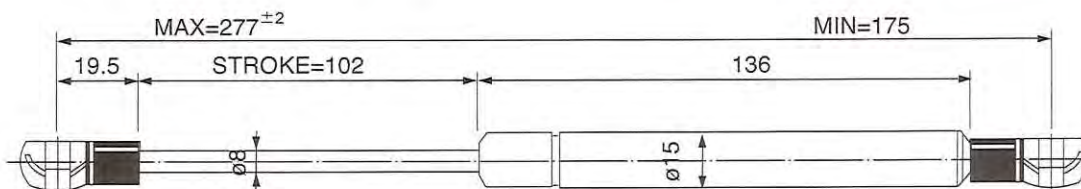
### Cabinet

Extended length (max) = 277mm

Force (F1) = 40N, 60N, 80N, 100N, 120N,  
150N, 200N, 250N

Compressed length (min) = 175mm

Stroke = 102mm



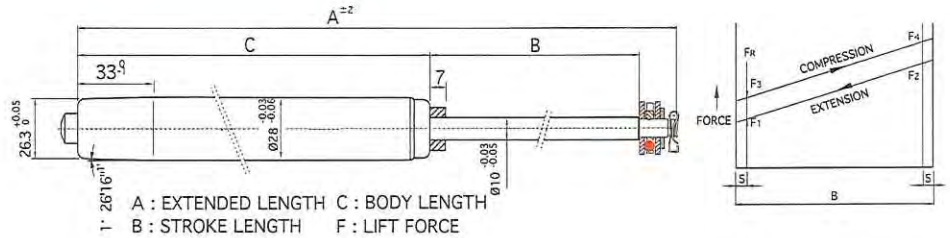
### Applications :

#### For Others

- ▶ Kit 道具
- ▶ Cabinet キャビネット
- ▶ Garbage can ゴミ箱
- ▶ Car trunk カートランク
- ▶ Office chair オフィスチェア

- ▶ Treadmill トレッドミル
- ▶ Airplane compartment 飛行機仕切り用
- ▶ High-speed railroad chair 高速列車チェア
- ▶ Bus Chair バスチェア
- ▶ Shade / Shelter 日よけ/シェルター
- ▶ Copy Machine コピーマシン

# ► PARTS ► Gas Spring

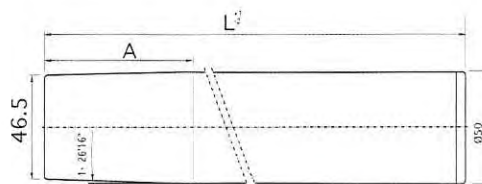
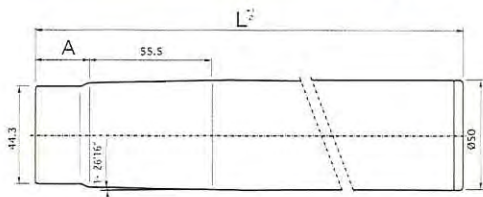


## SOFT LOCK E017 SERIES

N:NEWTON kgf:9.8N

ITEM NO.	A/mm	B/mm	C/mm	F/N	ITEM NO.	A/mm	B/mm	C/mm	F/N
E0017A2D	305	80	208	450	E0017F2D	394	120	258	450
E0017A3D	305	80	208	400	E0017F3D	394	120	258	400
E0017A4D	305	80	208	350	E0017F4D	394	120	258	350
E0017A5D	305	80	208	300	E0017F5D	394	120	258	300
E0017A6D	305	80	208	250	E0017F6D	394	120	258	250
E0017A7D	305	80	208	200	E0017F7D	394	120	258	200
E0017B2D	315	90	208	450	E0017G2D	414	140	258	450
E0017B3D	315	90	208	400	E0017G3D	414	140	258	400
E0017B4D	315	90	208	350	E0017G4D	414	140	258	350
E0017B5D	315	90	208	300	E0017G5D	414	140	258	300
E0017B6D	315	90	208	250	E0017G6D	414	140	258	250
E0017B7D	315	90	208	200	E0017G7D	414	140	258	200
E0017C2D	347	100	232	450	E0017H2D	436	140	281	450
E0017C3D	347	100	232	400	E0017H3D	436	140	281	400
E0017C4D	347	100	232	350	E0017H4D	436	140	281	350
E0017C5D	347	100	232	300	E0017H5D	436	140	281	300
E0017C6D	347	100	232	250	E0017H6D	436	140	281	250
E0017C7D	347	100	232	200	E0017H7D	436	140	281	200
E0017D2D	362	100	247	450	E0017J2D	575	140	420	450
E0017D3D	362	100	247	400	E0017J3D	575	140	420	400
E0017D4D	362	100	247	350	E0017J4D	575	140	420	350
E0017D5D	362	100	247	300	E0017J5D	575	140	420	300
E0017D6D	362	100	247	250	E0017J6D	575	140	420	250
E0017D7D	362	100	247	200	E0017J7D	575	140	420	200
E0017E2D	382	120	247	450	E0017K2D	535	200	320	450
E0017E3D	382	120	247	400	E0017K3D	535	200	320	400
E0017E4D	382	120	247	350	E0017K4D	535	200	320	350
E0017E5D	382	120	247	300	E0017K5D	535	200	320	300
E0017E6D	382	120	247	250	E0017K6D	535	200	320	250
E0017E7D	382	120	247	200	E0017K7D	535	200	320	200

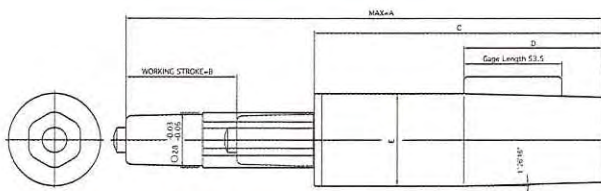
## GAS SPRING COLUMN



NO.	PART NO.	L	A	NO.	PART NO.	L	A
1	3ET01030002	185	24.5	1	3EY01050016	185	70
2	3ET01030004	215	24.5	2	3ET01050021	215	70
3	3ET01030006	235	24.5	3	3ET01050030	235	70
4	3ET01030008	285	24.5	4	3ET01050033	285	70
5	3ET01030010	385	24.5	5	3ET01050035	375	70

GAS SPRING / GAS LIFT

## NON-ROTATED GAS SPRING





ITEM NO.	A	B	C	D	E	F/N
E1E032C5AWAZ389	367.5	93	195	85	50	300
E1E032E5AWAZ395	382.5	113	225	85	50	300
E1E032G5AWAZ303	413.5	133	225	70	50	300
E1E032K6AWAZ284	535.5	193	285	70	50	250
E1E032L5AWAZ257	705	263	385	70	50	300



# ► PARTS ► Hinge

## HINGE

	<p>Item EKS-9203-05</p> <p>Description Concealed Hinge 95°</p> <p>Cup diameter : 35mm</p> <p>Hole depth : 11.5mm</p> <p>Opening : 95°</p> <p>Finish : Nickel-plated</p> <p>Material : Cold rilled steel</p> <p>Overlay : 19mm , 9mm , 5mm , 0mm</p>
	<p>Item EKS-9219</p> <p>Description Clip-on Hinge With 170°</p> <p>Cup diameter : 35mm</p> <p>Hole depth : 11mm</p> <p>Opening : 170°</p> <p>Finish : Nickel-plated</p> <p>Material : Cold rilled steel</p> <p>Overlay : 19mm , 9mm , 0mm</p>
	<p>Item E1HC6621A27 (Half overlay)</p> <p>Description Door material : Wood</p> <p>Cup Material : Steel.</p> <p>Cup diameter : 35mm</p> <p>Cup C. C. : 52mm</p> <p>Arm Material : Steel.</p> <p>Opening : 100°</p>
	<p>Item E1HC6621A36 (Full overlay)</p> <p>Description Door material : Wood</p> <p>Cup Material : Steel.</p> <p>Cup diameter : 35mm</p> <p>Cup C. C. : 52mm</p> <p>Arm Material : Steel.</p> <p>Opening : 100°</p>

# ► PARTS ► Slide Rail

## SLIDE RAIL

	<p>Item ENJ-35038</p> <p>Description Installation : Side Mount Side Clearance : 12.7mm Length : 300~600 mm Height : 45.7 mm Loading : 75 pound class Finish : Chromatic Coated Clear or Black</p>
	<p>Item ENJ-76J05</p> <p>Description Installation : Side Mount Side Clearance : 19.3mm Length : 355~1219 mm Height : 77.22 mm Loading : 400 pound class Finish : Chromatic Coated Clear or Black</p>
	<p>Item ENJ-76008</p> <p>Description Installation : Side Mount Side Clearance : 19.0mm Length : 300~1000 mm Height : 53.6mm Loading : 200 pound class Finish : Brite Zinc Plate</p>
	<p>Item ENJ-76A03</p> <p>Description Installation : Side Mount Side Clearance : 19.0mm Length : 544 mm Height : 57.4 mm Loading : 180 pound class Finish : Chromatic Coated Clear or Black</p>
	<p>Item ENJ-66D01</p> <p>Description Installation : Bottom Mount Side Clearance : 16.7mm Length : 390~440mm Height : 56.7 mm Loading : 180 pound class Finish : Brite Zinc Plate</p>

 **FULLNESS CORPORATION**

Address: 6F, No. 60, Jhouzih St., Neihu District, Taipei City 114, Taiwan

Tel: +886-2-8751-0355 Fax: +886-2-8751-9890

E-mail: [info@fullnesscorp.com](mailto:info@fullnesscorp.com) <http://www.fullnesscorp.com>

Office Furniture & Parts

